

brand	FLYMO
-------	--------------

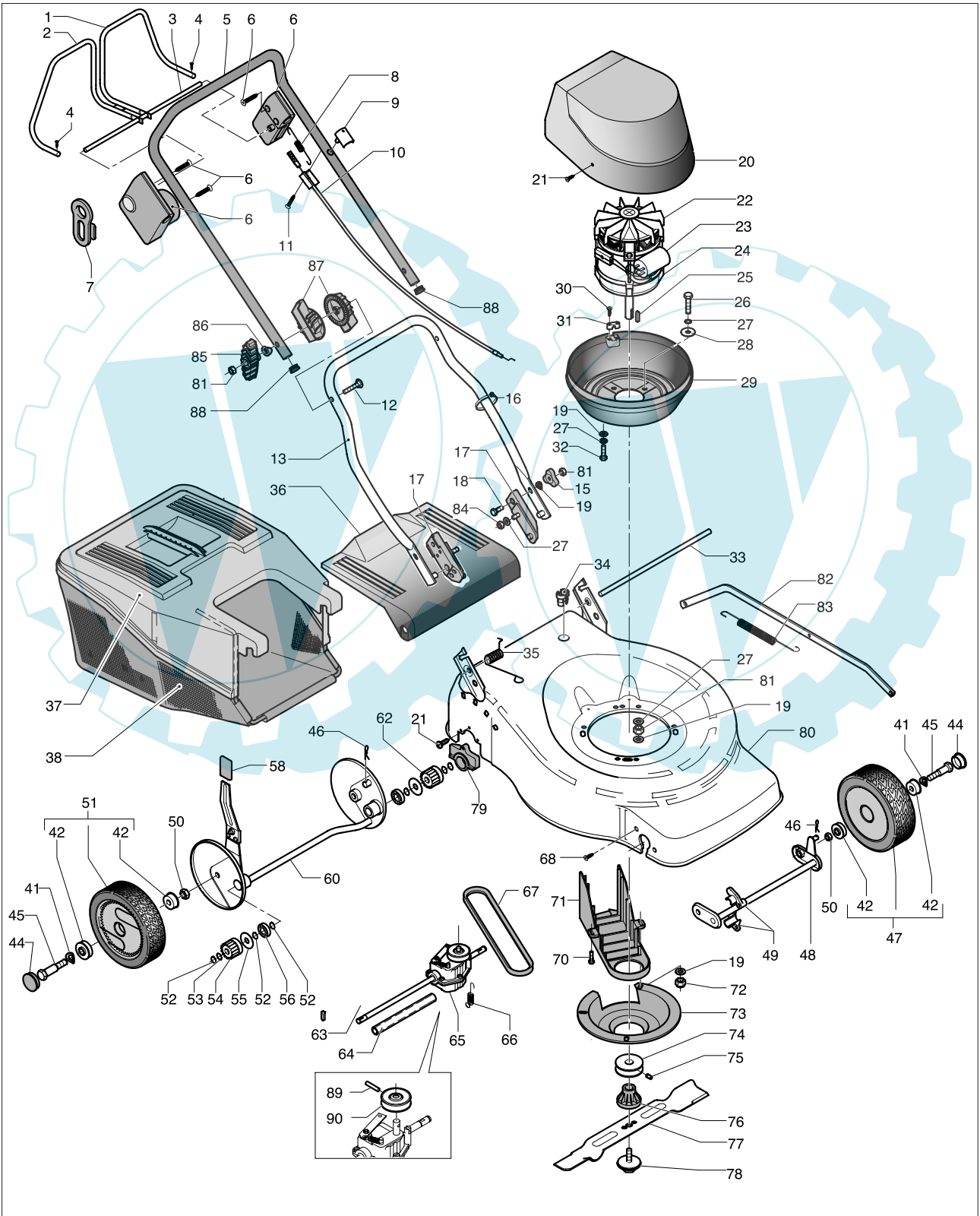
date	MAR/03	SHEET 1/3
------	--------	-----------

Model

FL 460 DEL

Product number

953878208



brand	FLYMO
-------	--------------

date	MAR/03	SHEET 2/3
------	--------	-----------

Model

FL 460 DEL

Product number

953878208

Pos.	PN ELX	PN MEP	DESCRIPTION	Q.ty	NOTE
1	531206003	10146393	clutch handle	1	
2	531205995	10146293	switch lever	1	
3	531206004	10146403	tie rod	1	
4	531206006	10146420	screw	2	TCTC D.3,9x13 FZ
5	531211005	10146903	upper handle	1	
6	531207082	10398400	switch	1	9,5A
7	531207051	10393103	cable hook	1	
8	531206005	10146410	spring	1	
9	531205978	10146203	cable lock	1	
10	531205990	10146250	cable	1	1040/1154
11	531208217	20135730	screw	1	TC.TC 2F D 5x25
12	531205842	10141270	screw	2	TTSQ M8X75 (Z) GAMBO D.8
13	531206040	10146803	handle lower	1	
15	531204923	10114303	knop	2	
16	531205581	10135600	clamp	1	160X4,5
17	531207045	10391303	support	2	TE M8x30 UNI 5739-8,8-ZB
18	531207071	10396600	screw	2	8x16x1,5 ZB
19	531204922	10114200	washer	9	TCTC 2F D.5x16 AC
20	531210796	1013551V	motor housing	1	14,3
21	531208216	20135720	screw	4	20MF
22	531208001	20117683	cooling fan	1	1800W
23	531207721	10781700	capacitor	1	4x4x22
24	531207685	10740000	motor	1	TE M8x40 UNI 5737-8,8-ZB
25	531207041	10384800	key	1	D.8E DIN 6798
26	531207044	10390800	screw	3	8x24x2
27	531207981	20106200	washer	12	TCTC 3,9x22 FIX ZB
28	531204904	10066300	washer	3	D.8/5
29	531207069	10396303	motor housing bottom	1	TE M8x25 UNI 5739-8,8-ZB
30	531207065	10396100	screw	2	TCTC 3,9x22 FIX ZB
31	531207043	10389103	cable lock	1	D.8/5
32	531208586	20385300	screw	4	TE M8x25 UNI 5739-8,8-ZB
33	531205060	10120530	tie rod	1	
34	531205557	10135413	cable lock	1	
35	531205999	10146330	spring	1	
36	531205981	1014621V	deflector	1	
37	531210785	1014611V	sack frame upper	1	
38	531208306	20146303	grass catcher	1	
41	531206644	10275100	washer	4	UN8840-B12(13/24/0,8)
42	531205214	10121900	ball-bearing	8	
44	531210795	1011480V	plug	4	
45	531205042	10120090	screw	4	
46	531206653	10281400	cotter pin	2	1,8 x 33
47	531210793	0914128V	wheel	2	D170/26

brand	FLYMO
-------	--------------

date	MAR/03	SHEET 3/3
------	--------	-----------

Model

FL 460 DEL

Product number

953878208

Pos.	PN ELX	PN MEP	DESCRIPTION	Q.ty	NOTE
48	531205051	10120290	axle	4	
49	531205057	10120473	support	4	
50	531207978	20101700	nut	2	M10 H8 UNI 5588-6S ZB
51	531210794	0917262V	wheel	2	D190/26
52	531208772	20655800	seeger	6	D.12E DIN 471
53	531208859	20761300	washer	1	D.12,4x17x0,3
54	531205045	10120160	pinion	2	DX
55	531207847	10831200	washer	2	D.12/34/0,7 ZB
56	531208778	20657600	ball-bearing	1	D.12/28/8 6001/2RS
58	531207986	20107203	sheating	1	
60	531205101	10121090	axle	1	
62	531205046	10120170	pinion	1	SX
63	531205108	10121160	key	2	"S" 5x5(-0,05) x19,2 DIAG
64	531207693	10766103	spacer tube	1	12x284
65	531204755	09767400	gear-box	1	Z 27 3L 285
66	531206182	10155210	spring	1	TCTC 4,3x16 FIX ZB
67	531207280	10548500	belt	1	TEFR 5x10 ZB
68	531208844	20734900	screw	4	M8 H10 UNI7473-ZB
70	531207856	10831800	screw	3	
71	531205047	10120183	belt housing	1	
72	531208599	20404900	nut	3	M5X10 UNI 5929-67
73	531206007	10146433	safety housing	1	
74	531205994	10146280	pulley	1	
75	531205998	10146320	screw	1	
76	531211645	10173163	blade adapter	1	
77	531211652	10173170	blade	1	
78	531211594	10152913	screw	1	
79	531205944	10146093	support	2	
80	531210828	1017268V	deck	1	
81	531207982	20106300	nut	7	M8 H8 UNI 5587-6S ZB
82	531205069	10120653	rod	1	
83	531205056	10120460	spring	1	
84	531206618	10240300	nut	2	M8 H5 UNI 5589-6S ZB
85	531205840	10141253	knop	2	8M
86	531205841	10141263	washer	2	D.8
87	531205839	10141243	support	4	D.22
88	531208950	20833303	plug	2	
89	531207703	10768400	resilient pin	1	
90	531208899	20768203	pulley	1	